

Cockpit 4000 **Avionics Suite**



**A Modular, Integrated Glass Cockpit for
Military Trainers and Light Attack Armed
Reconnaissance [LAAR] Aircraft**

Cockpit 4000 **Avionics Suite**

The Cockpit 4000 is a fully integrated avionics suite that provides a glass cockpit, representative of today's front line fighters, enabling air forces throughout the world to download their training onto less expensive Basic and Advanced trainer aircraft.

System capabilities include primary flight display, integrated communications/navigation management, steerpoint navigation, tactical situation display, engine indication and caution advisory, stores management, no-drop bombing scoring system, and a virtual Multi Mode Radar and Radar Warning Receiver (RWR) training system.

System Benefits

- Part 23 civil certification obtained for the T-6B configuration
- Heads up operations
- Hands on throttle and stick operations (HOTAS)
- Centralized cockpit management reduces pilot workload, increases mission efficiency and flight safety
- Master Moding control concept to improve pilot task performance
- Master Moding enables the pilot to instantly reconfigure the avionics suite to a particular state of readiness
- Three Master Modes: Navigation (NAV), Air-to-Air (A/A) and Air-to-Ground (A/G)
- Simulated and live weapon delivery
- Air-to-Ground delivery modes:
 - Continuously Computed Impact Point (CCIP)
 - Continuously Computed Release Point (CCRP)
 - Dive Toss (DTOS)
- Air-to-Air
 - Continuously Computed Impact Line (CCIL) - "Snapshot" gun sight
 - Lead Computing Optical Sight (LCOS) - gun sight
 - Aim-9L A/A missile

Access to a Full Range of Navigation and Mission Management MFD Pages

- Primary Flight Display (PFD)
- Navigation Display (NAV)
- Tactical Situation Display (TSD) with digital map layers (MAP)
- Stores Management System (SMS)
- Communication Navigation Management (CNM)
- Engine Instruments Caution Advisory System (EICAS)
- Built In Test (BIT)
- Data Transfer System (DTS)
- No Drop Scoring System (NDS)
- Virtual Training System (VTS)



AIR TO GROUND (A/G) MASTER MODE

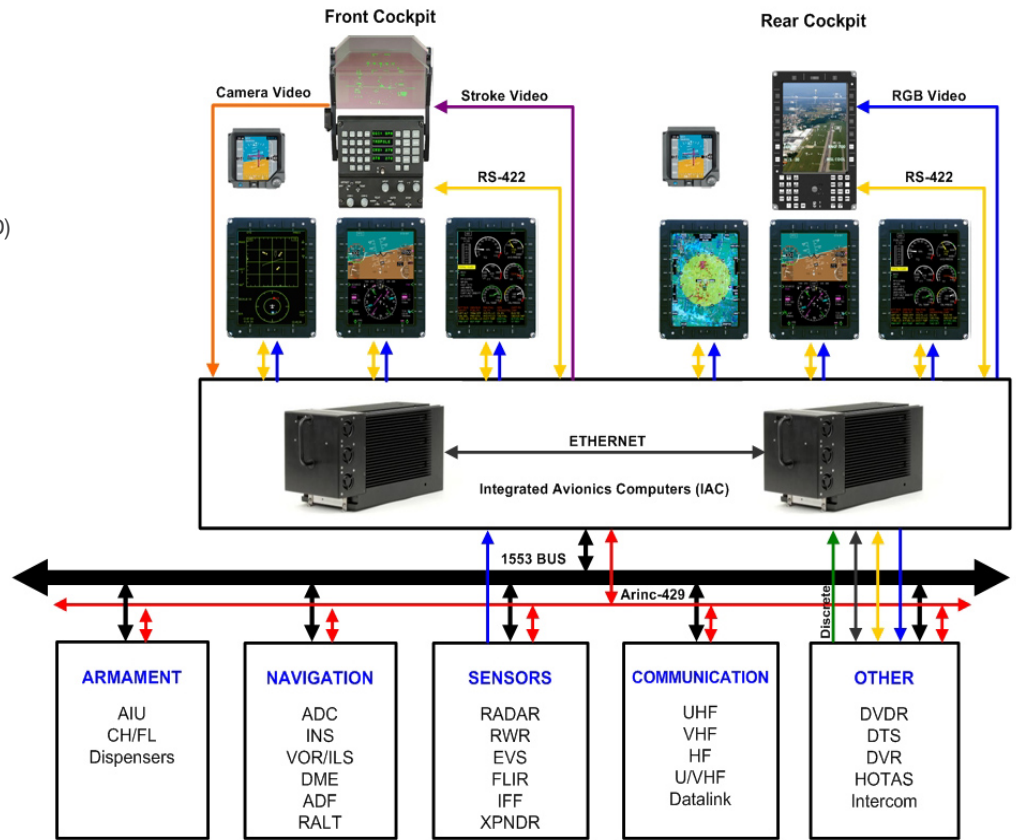


AIR TO AIR (A/A) MASTER MODE

CMC Designed and Produced Avionics are at the Core of the Cockpit 4000

- Integrated Avionics Computer (IAC)
- Combat proven Head Up Display (HUD) with HUD camera
- Up Front Control Panel (UFCP)
- 5x7 inch Multi-Function Display (MFD)
- 4x5 or 5x7 inch HUD Repeater
- Embedded Virtual Training capability
- Embedded Air Combat Maneuvering Instrumentation (EACMI)
- Multiple Standard interfaces: MIL-STD-1553B, ARINC-429, CanBus (I2C), RS-422/485, Ethernet, discrete and analog signals
- The remaining components are Non Development Items integrated with the Cockpit 4000 System.

Modular Open System Architecture



NAVIGATION MASTER MODE

Cockpit 4000 Avionics Suite

Already flying on the KAI KT-1C, KT-1T and KT-1P, the BAE Systems Hawk Mk51A and Mk66, the Beechcraft T-6B/T-6C and AT-6, and the IOMAX Archangel.



For more information, visit www.cmcelectronics.ca
or email us at sales@cmcelectronics.ca


Over 100 Years
of Innovation

For information purposes only. To accommodate product improvements,
specifications are subject to change without notice.
APPROVED FOR PUBLIC RELEASE; DISTRIBUTION IS UNLIMITED
CMC-COCKPIT4000-19-003

CMC
Electronics